

CL Water

EFFICIENT
Oil-Fired
Cast Iron Boiler



Six Sizes

(GPH) .75, 1.00, 1.20, 1.50, 1.75, 1.90
(MBH*) 92, 122, 148, 182, 214, 231

*DOE heating capacity

- Up to 87% AFUE
- 80 to 201 net MBH
- Chimney vented
- User-friendly intergrated boiler control with combination high limit circulator relay and energy-saving thermal purge feature
- Cast iron heat exchanger, wet base design
- Tankless coil available
- Metal section connectors - resistant to chemicals, offer increased boiler longevity
- Swing-away cast iron door provides easy access to combustion chamber
- Lifetime limited warranty on heat exchanger

**NEW
YORKER**
YOUR BOILER COMPANY

CL Water Technical Information



Model	DOE Heating Capacity (MBH)	AHRI Net Ratings (MBH)	Burner Capacity (GPH)	AFUE (%)	Minimum Chimney Req.	Tankless Heater (GPM)	Jacket Depth 'A'	Jacket Rear to Center of Flue 'B'	Flue Collar Diameter 'C'	Approx Ship Wt. (lbs.)
CL3-105WE ¹	92	80	0.75	87.0*	8" x 8" x15'	3.00	17-3/8"	8-1/4"	5-7/8"	560
CL3-140WE	122	106	1.00	86.3	8" x 8" x15'	3.25	17-3/8"	8-1/4"	5-7/8"	560
CL4-168WE ¹	148	129	1.20	87.0*	8" x 8" x15'	3.75	22-3/8"	10-7/8"	6-7/8"	680
CL4-210WE	182	158	1.50	86.0	8" x 8" x15'	4.00	22-3/8"	10-7/8"	6-7/8"	680
CL5-245WE ¹	214	186	1.75	86.4	8" x 8" x15'	4.25	27-3/8"	13-3/8"	7-7/8"	800
CL5-266WE	231	201	1.90	86.0	8" x 8" x15'	4.75	27-3/8"	13-3/8"	7-7/8"	800

1. Original boiler size

■ Adapted configuration w/different nozzle (included)

NOTE: Add "T" to end of model number for tankless heater coil

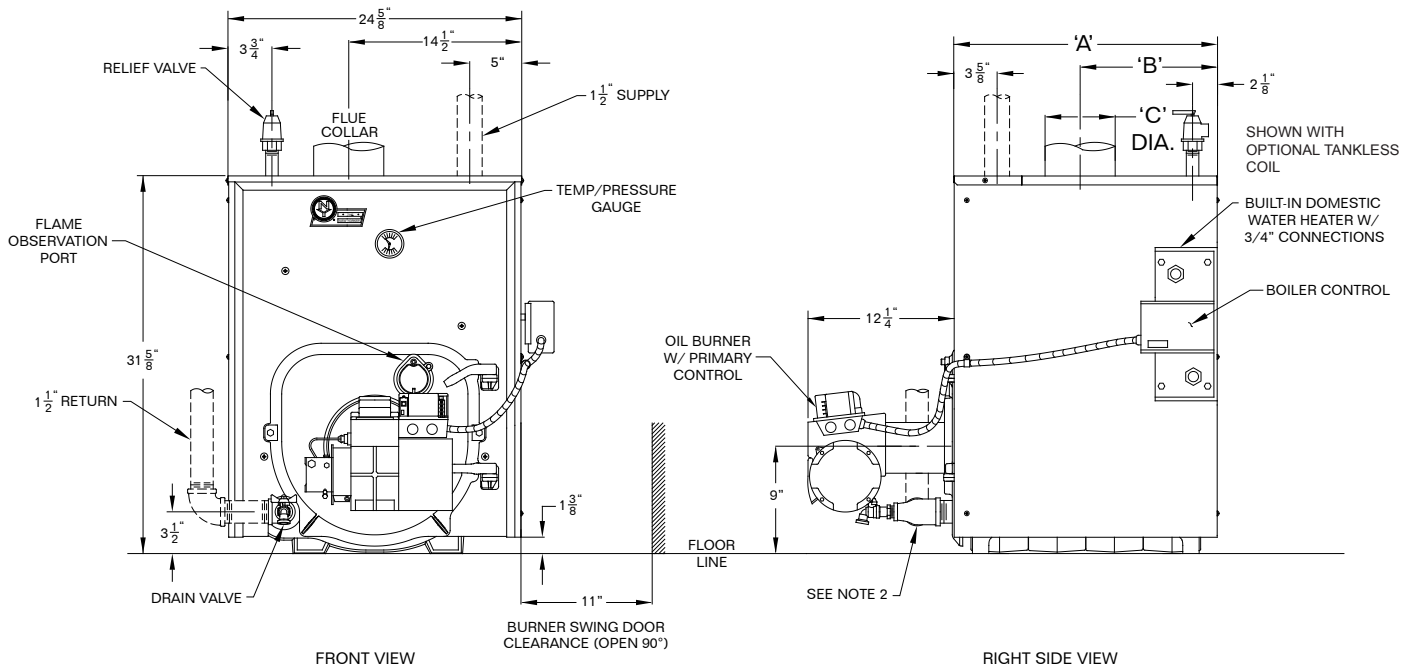
Net AHRI ratings are based on a piping and pickup allowance of 1.15. The manufacturer should be consulted before selecting a boiler for installations having unusual piping and pickup requirements, such as intermittent system operation, extensive piping systems, etc.

*ENERGY STAR® certified



Standard Features

- Fully packaged
- Intergrated boiler control system
- Beckett® AFG oil burner
- Beckett GeniSYS® primary control
- Electronic ignitor 14KV
- Taco 007e circulator
- Metal section connectors
- Combustion target wall
- Vertical flue design
- Insulated jacket, designed for easy removal
- Relief valve



Notes:

- Circulator supplied loose – may be installed on supply or return
- Return fittings and drain valve shipped loose
- Piping shown hidden not furnished with boiler



www.newyorkerboiler.com
 info@newyorkerboiler.com
 ©2023 New Yorker Boiler Company, Inc., Lancaster, PA
 PL81420101006 - 8/23 5Mmr

