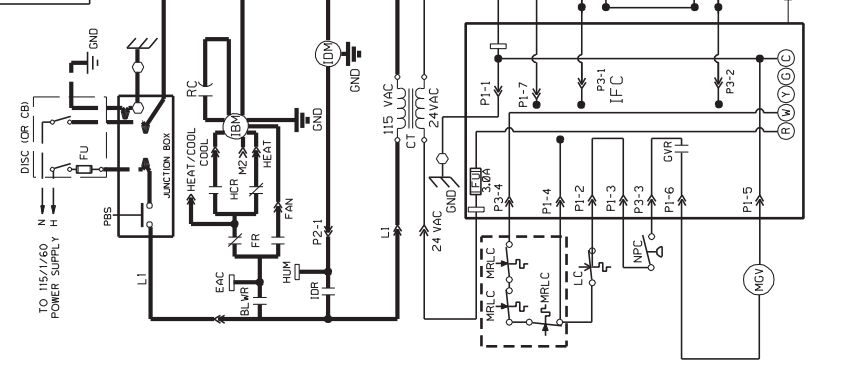


= CHASSIS GROUND
 = EARTH GROUND

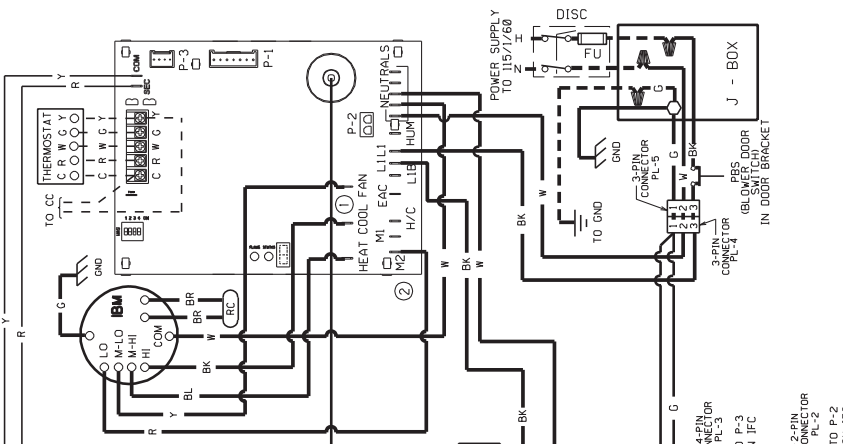


WIRE COLOR CODE

BK	BLACK
BR	BROWN
BL	BLUE
G	GREEN
GY	GRAY
OR	ORANGE
PR	PURPLE
R	RED
W	WHITE
Y	YELLOW

ELECTRICAL WIRING DIAGRAM

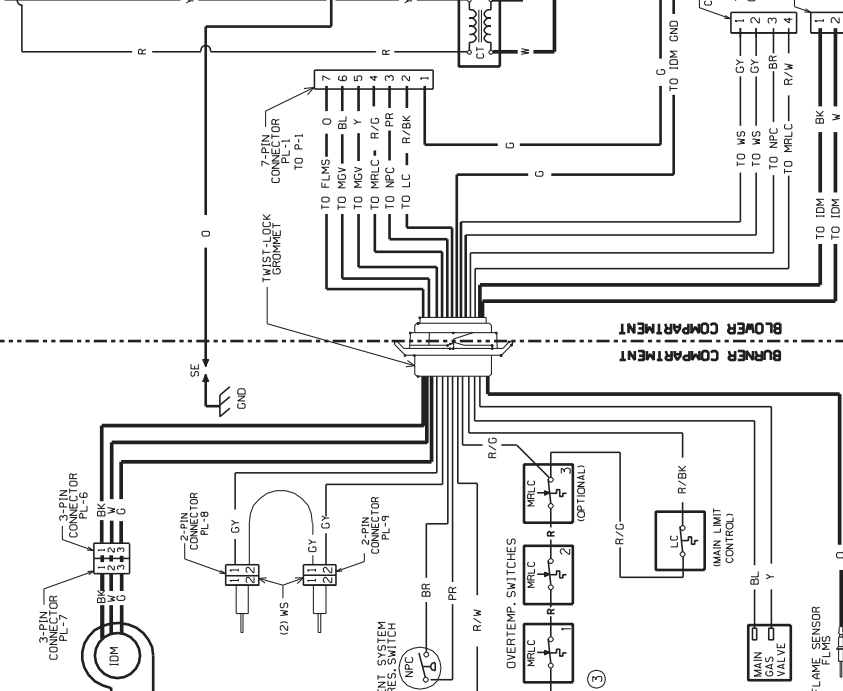
UPFLOW / DOWNFLOW - HORIZONTAL
 BLOWER INDUCED DRAFT
 SINGLE STAGE 90PLUS
 GAS FIRED, FORCED AIR FURNACE



WIRING INFORMATION

LINE VOLTAGE
 -FACTORY STANDARD
 -FACTORY OPTION
 -FIELD INSTALLED
 -FACTORY OPTION
 -FIELD INSTALLED

REPLACEMENT WIRE
 -MUST BE THE SAME SIZE AND TYPE OF INSULATION AS ORIGINAL (105 C.MIN.)
 -CABINET MUST BE PERMANENTLY GROUNDED AND CONFORM TO I.E.C., N.E.C., C.E.C., NATIONAL WIRING REGULATIONS, AND LOCAL CODES AS APPLICABLE.



- ### NOTES:
- REFER TO SPEC SHEET FOR ACTUAL FACTORY MOTOR TAP PLACEMENT OF "HEAT" & "FAN" AS SOME MODELS MAY BE DIFFERENT THAN SHOWN HERE, ALSO REFER TO SPEC SHEET OR INSTALLATION MANUAL IF WIRING OF HEAT AND/OR COOL SPEEDS IS NOT DESIRABLE.
 - CONNECT UNUSED MOTOR LEADS TO M1 AND/OR M2
 - TWO OR THREE MRLC SWITCHES MAY BE PRESENT DEPENDING ON MODEL.

COMPONENT CODE

BLWR	BLOWER RELAY
C	CONTROL TRANSFORMER
CT	CONTROL TAP
DISC	DISCONNECT SWITCH
EAC	ELECT. AIR CLEANER OUTPUT
FLMS	FLAME SENSOR
FR	FAN RELAY
FU	FUSE
GND	GROUND
GVR	GAS VALVE RELAY
HALC	HEAT ASSISTED LIMIT CONTROL
HCR	HEAT/COOL RELAY
HID	HIGH DRAFT CONTROL
HUM	HUMIDITY CONTROL
IDM	INDOOR BLOWER MOTOR
IDR	INDUCED DRAFT MOTOR
IFC	INTEGRATED FURNACE CONT
LC	LIMIT CONTROL
LFC	LIMIT PRESSURE CONTROL
M	MEMORY CARD
MC	MEMORY CARD
MGV	MAIN GAS VALVE
MRLC	MAN. RESET LIMIT CONTROL
NEU	NEUTRAL
NPC	NEGATIVE PRESSURE CONT.
PBS	PUSH BUTTON SWITCH
PFC	PUSH FACTOR CHOKE
PL	PLUG
PS	PRESSURE SWITCH
R	RELAY
SE	SENSING ELEMENT
SE	SENSING ELEMENT
TM	THERMISTOR
WS	WATER SENSOR
W	WIRE NUT

DR. BY: JIM
 APP. BY: JIM
 DATE: 1-10-12
 DWG. NO.: 90-104294-01
 REV: 08